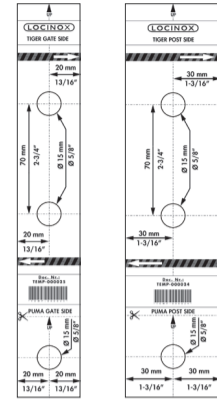
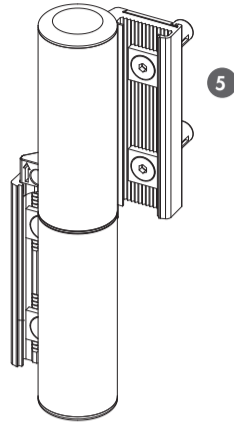
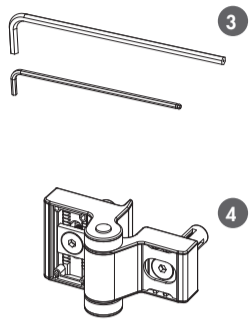
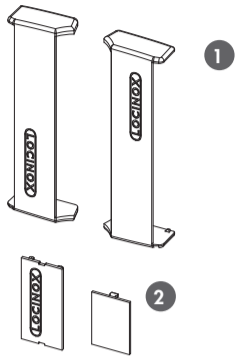


TIGER: INSTALLATION INSTRUCTION

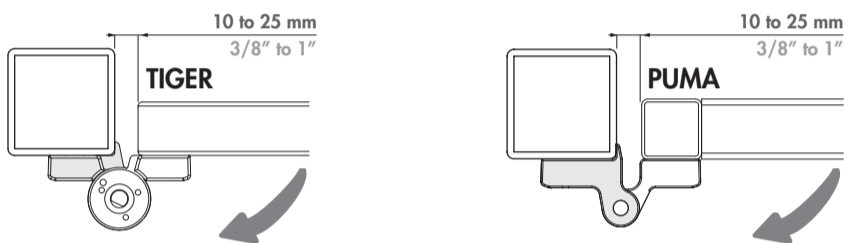
① Package content



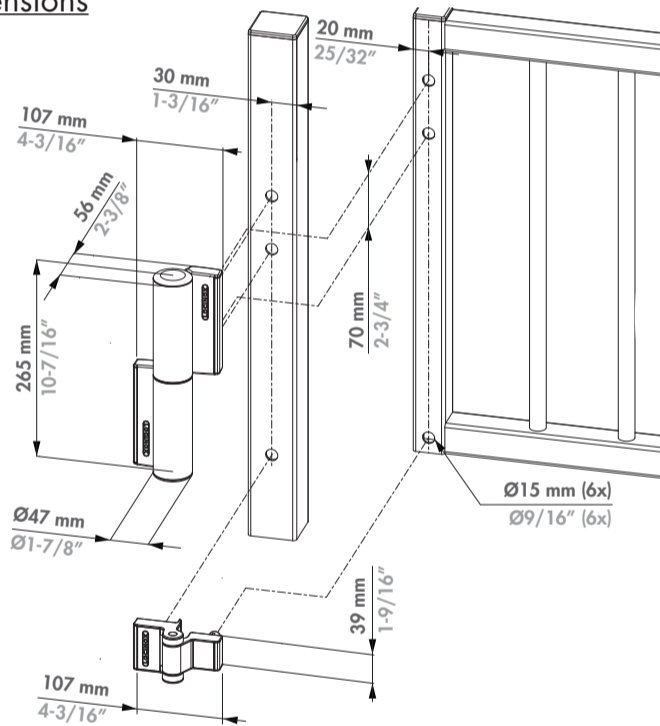
1	Tiger cover shields
2	Puma cover shields
3	Allen Keys (3 and 5 mm)
4	Puma hinge
5	Tiger gatecloser
6	Drilling Templates

LEFT TURNING GATE

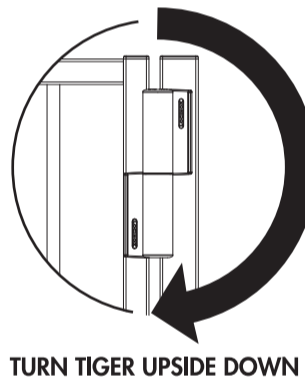
② Mounting Situation



③ Dimensions

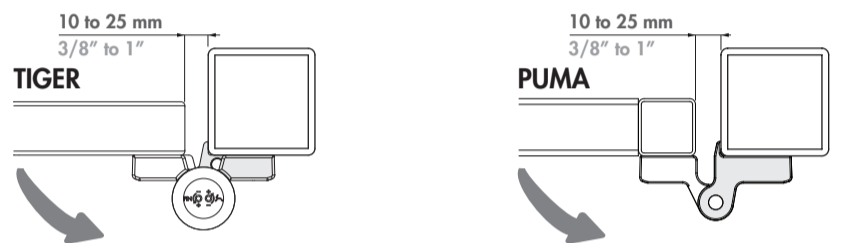


RIGHT HAND TURNING GATE

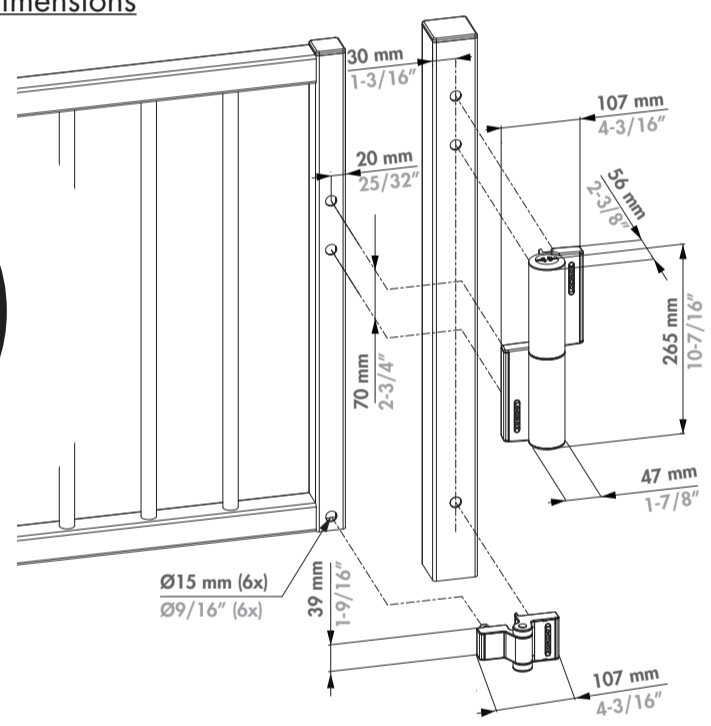


RIGHT TURNING GATE

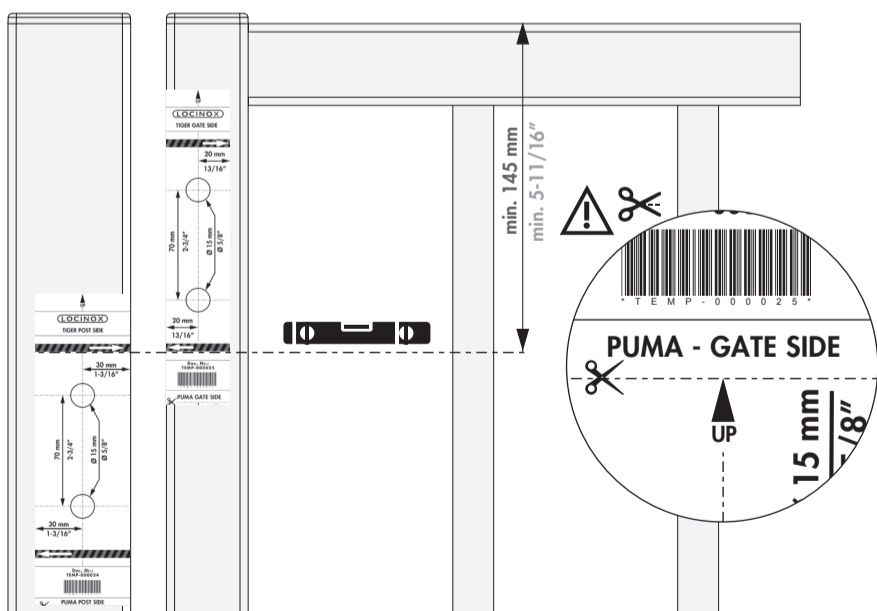
② Mounting Situation



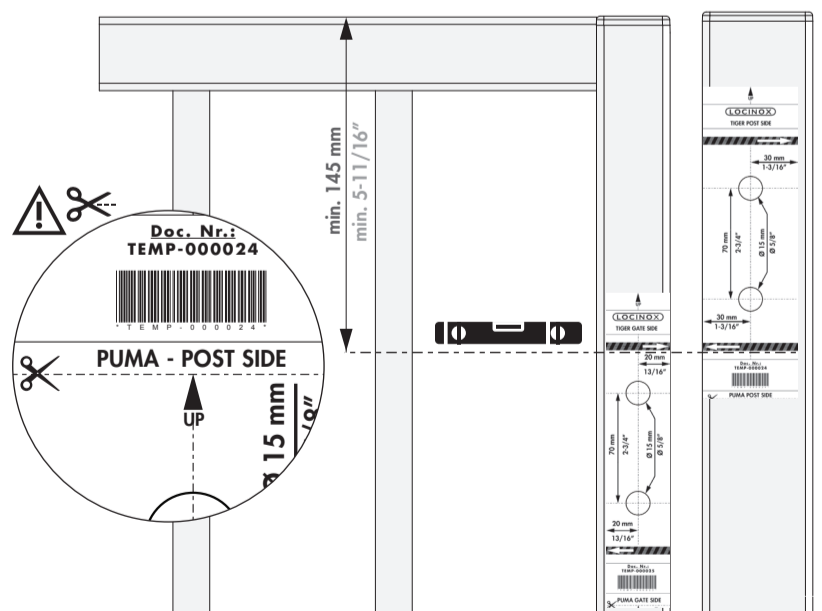
③ Dimensions



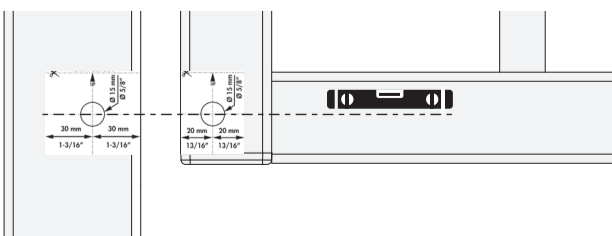
④ Profile and gate preparation for TIGER gatecloser



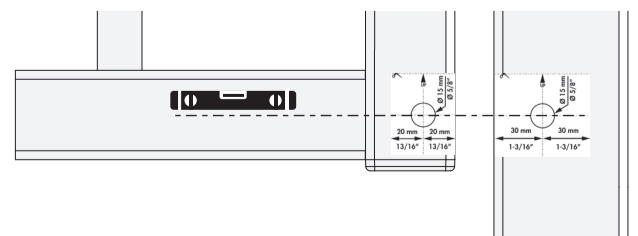
④ Profile and gate preparation for TIGER gatecloser



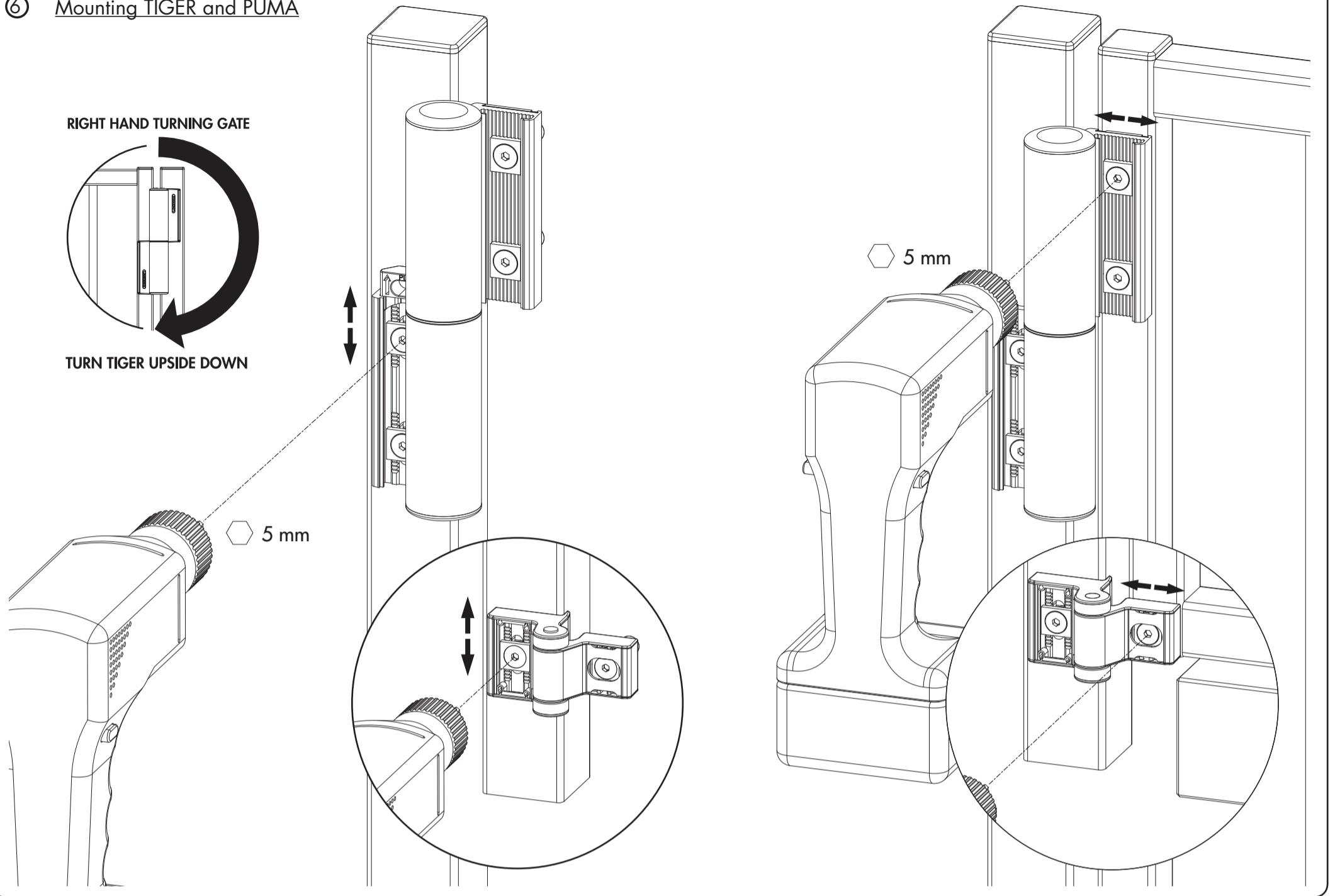
⑤ Profile and gate preparation for PUMA hinge



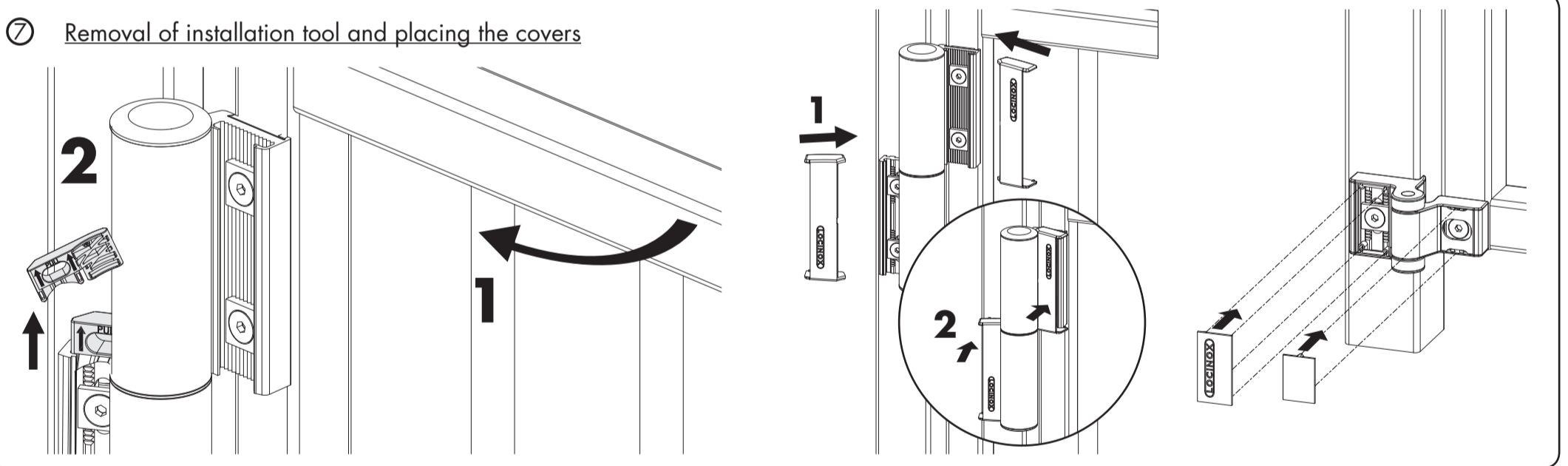
⑤ Profile and gate preparation for PUMA hinge



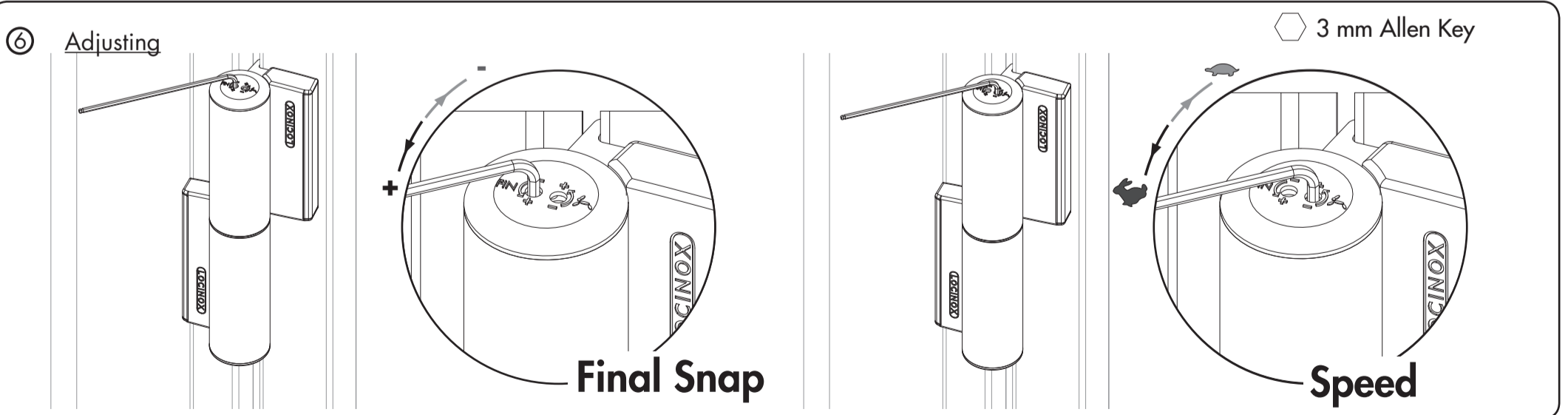
⑥ Mounting TIGER and PUMA



⑦ Removal of installation tool and placing the covers



⑧ Adjusting



LOCINOX®
Let's make better fences together

Doc. Nr.:
MANU-000227

Locinox nv • Mannebeekstraat 21
B-8790 Waregem • Belgium
Tel. +32 (0)56 77 27 66
E-mail: locinox@locinox.com

Locinox USA LLC • 460-464 Windy Point Drive
Glendale Heights • IL60139
Tel. 877-LOCINOX • Fax. 708-579-0978
E-mail: salesusa@locinox.com

