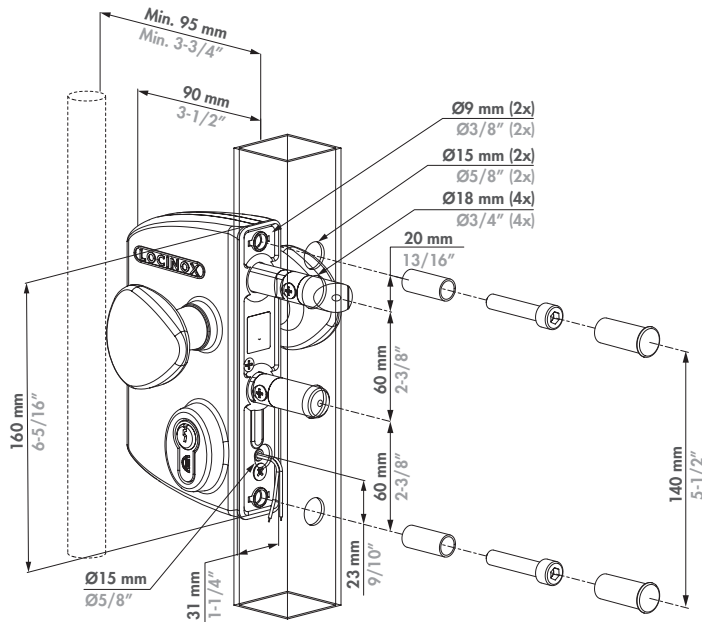


LOCINOX[®]

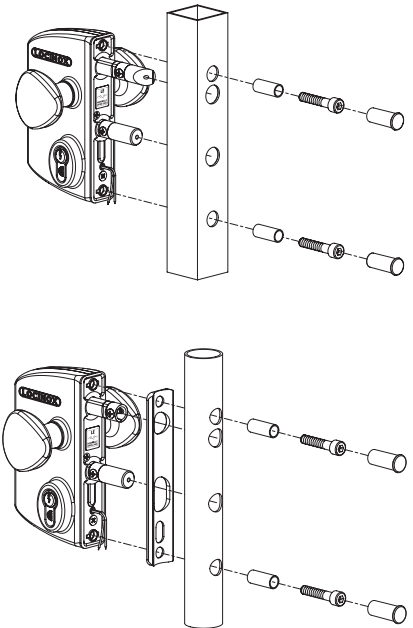
Let's make better fences together

LEKQ U2 / LIKQ U2

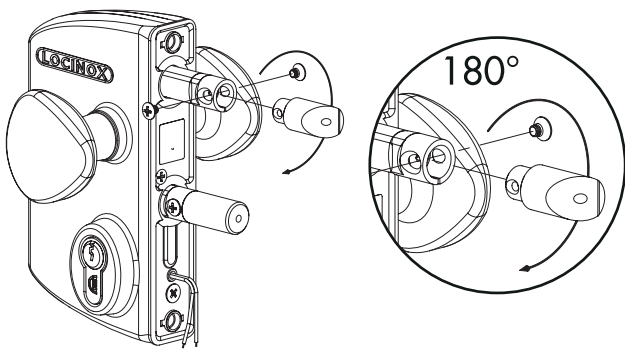
① Exploded view & Dimensions



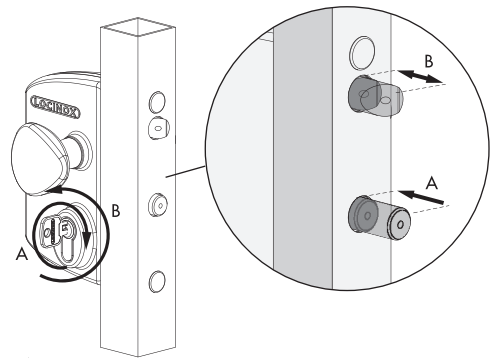
② Profile types



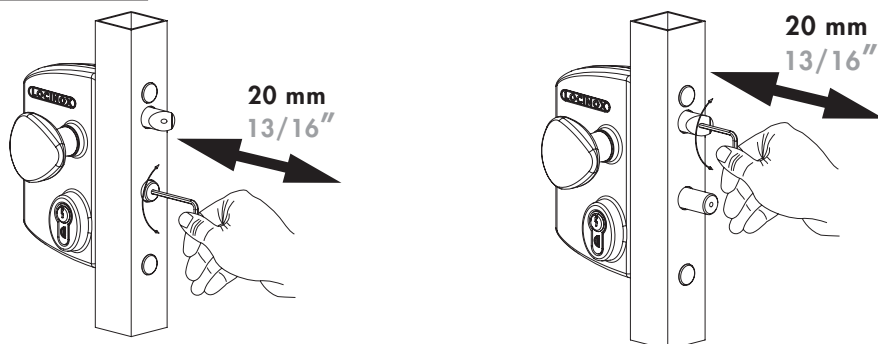
③ Left/Right Changing



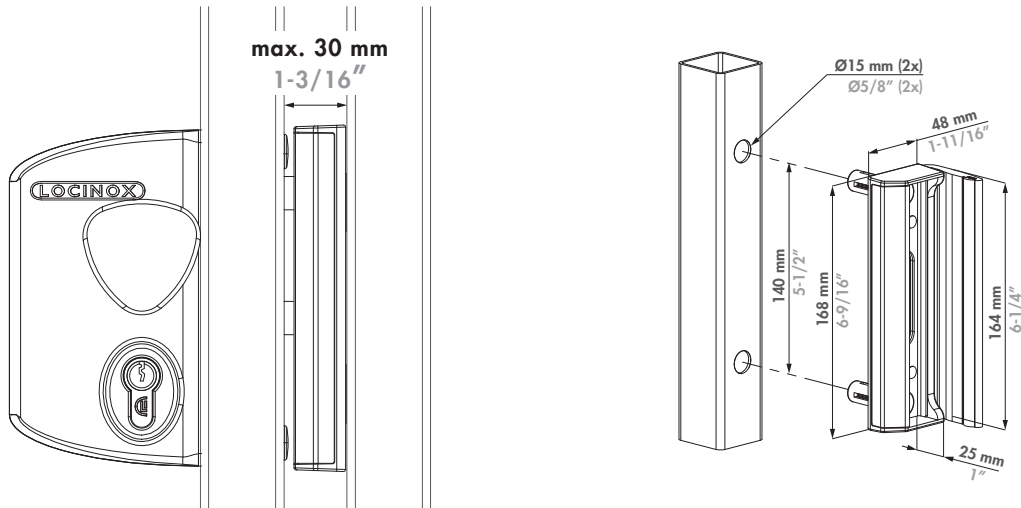
④ Key Operated (B) & Throw (A)



⑤ Throw Adjustment



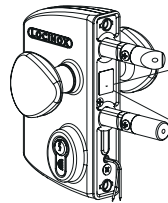
⑥ SAKL QF - Industrial Keep



⑦ Remarks



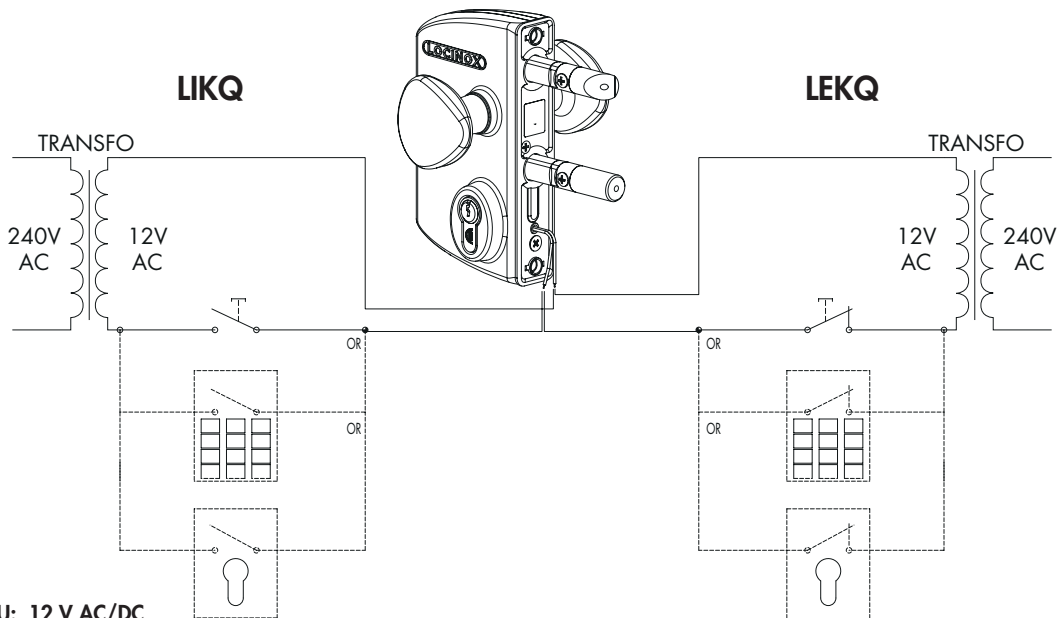
Please check the
Failsafe sticker to
check the lock type.



LEKQ - Fail open
Lock opens when power
is cut off

LIKQ - Fail close
Lock closes when power
is cut off

⑧ Connecting - Raccordement - Aansluiting - Anschließen



U: 12 V AC/DC
I: 0,3 A
P: 3,6 W

LOCINOX
Let's make it better together

Doc. Nr.: MANU-000235



Locinox nv • Mannebeekstraat 21 • B-8790 Waregem • Belgium
Tel. +32 (0)56 77 27 66 • Fax. +32 (0)56 77 69 26 • E-mail: locinox@locinox.com